

Luer Activated Valve

DESCRIPTION

m|devices Luer Activated Valve features a closed silicone diaphragm that checks flow until mechanically opened with a luer device. Allows for bi-directional flow of up to 400mL/min upon activation. Suitable for the administration of infusion solution, drugs and for taking blood.

FEATURES & BENEFITS

- Compatible for use with luer lock and slip connectors
- No twist necessary for luer slip connection
- Transparent housing for clear visibility
- Peel open pouch
- Single use only

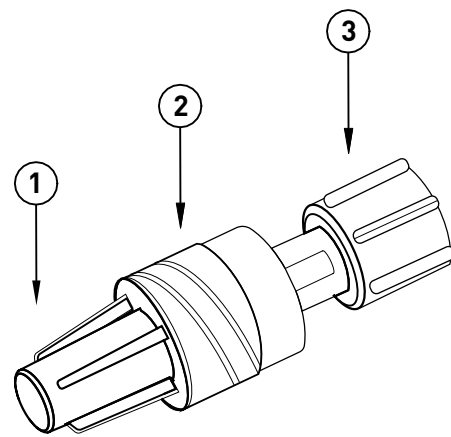
PRODUCT DATA

- Flow rate: 400mL/min
- Number of accesses: up to 100 times
- Priming volume: 0.12mL
- Pressure rating: 45 PSI
- Lipid resistant
- Negative Pressure: 284mmHg, valve opens automatically
- ARTG Number: 272194
- The product is MRI compatible
- DEHP YES = Product contains Phthalates such as the PVC Plasticizer Di-(2-ethylhexyl)-phthalate (DEHP).
- Not made with Natural Rubber Latex
- Material: Polycarbonate and silicone
- Shelf Life: 3 Years

ISO STANDARDS

- EN ISO 10993-1:2018 Biological evaluation of medical devices – Part 1: Evaluation and testing within a risk management process
- ISO 80369-20:2015 Small-bore connectors for liquids and gases in healthcare applications
- ISO 11737-2:2019 Sterilisation of health care products — Microbiological methods

PRODUCT DIAGRAM



ITEM	DESCRIPTION
1	Upper cover
2	Valve
3	Lower cover

Luer Activated Valve

STERILE

RE-ORDER DESCRIPTION

CARTON/QTY

IV200000 Luer Activated Valve

50